

PORTABLE COMPRESSORS

BREATHING AIR

2 0 2 1

High and low pressure
compressors for
breathing air and
technical gases.

Northern Diver Partner

COLTRI

COMPANY

Aerotecnica Coltri was founded in the 1960s in response to a specific need, which was to offer support to the diving sector. So we structured our workshops to create a production of high-pressure compressors for breathable air. We have set them up in Italy, where we directly control all processes, from the concept to its assembly.

Our propensity for innovation has allowed us not to stop at diving. We have expanded our offer with products dedicated to technical gases, applying the same uncompromising quality-oriented vision that is typical of Made in Italy.

Constant evolution in design and manufacturing has thus become the central element of our identity: more than fifty years of development have enabled us to create machines that now represent the reference point for the sector worldwide.

This propensity for research and development has allowed us to go from being users of the most modern technical options to being protagonists of technological progress in the sector. We use all the most modern equipment, such as robots and numerically controlled machine tools, to make products that are increasingly reliable, efficient and long-lasting.

Each component of the pump units is designed and created in the Coltri workshops and is the result of careful study and numerous tests. We assemble all the compressors shown in this catalogue in their entirety in our own factory according to strict quality standards. We use machines of extraordinary technical precision such as ZEISS®, which plays a fundamental role in dimensional metrology; this allows us to detect the geometric characteristics of the

pieces and predict their behaviour when used as components of more complex assemblies.

Our focus and constant growth, guided by clear objectives of excellence, have enabled us to obtain quality certifications of international standing, rewarding our dedication and commitment.

We like to see ourselves as enablers. We create our machines so it is easier to challenge oneself, overcome limits and imagine new possibilities. Whether it's leisure activities, industrial applications or emergency support, Coltri Compressors is here to raise the bar further, to enable you to reach the unexplored.

[#reachtheunexplored](#)





Technical characteristics, compressor frame colors, accessories and consumables in this catalogue may be modified at any time without notice.

**Our dedication and our commitment
have allowed us to obtain
quality certifications
recognized internationally**

UNI EN ISO **9001:2015**



SISTEMA DI GESTIONE
QUALITÀ CERTIFICATO

CERTIFIED QUALITY
MANAGEMENT SYSTEM



UNI EN ISO **9001:2015**



BASIC

LINE: PORTABLES



The BASIC series includes the most widely used portable compressors in the world. Due to their small size and low weight, the models are perfect for a wide variety of needs: high pressure breathable air for diving, recreational activities, firefighting services and paintball facilities. The models are available with petrol or electric motors, both three-phase and single-phase, and are equipped with the MCH 6 pumping unit. The standard equipment includes a filling connection with flexible hose with working pressures from 232 to 330 bar. The experience of use is highly customizable with the various options available such as pressure maintenance valve, automatic condensate drain and autostop. The chassis are also available in stainless steel.



DRIVEN BY	CHARGING RATE	WORKING PRESSURE	FILLING TIME*
Single-phase electric motor	From 50 to 100 l/m	330 Bar	From 40 min. to 20 min.
Three-phase electric motor			
Honda Petrol Engine			

MCH 3
PUMPING UNIT



MCH 6
PUMPING UNIT



TECHNICAL DATA

	EM 3	EM 6	ET 6	SH 6
DRIVEN BY	Single-phase 230 V - 50 Hz	Single-phase 230 V - 60 Hz	Three-phase 440 V - 60 Hz	Petrol engine Honda GP200
ENGINE POWER	1.5kW 2 Hp	2.2kW 3 Hp	3.0kW 4 Hp	3.6kW 4.8 Hp
CHARGING RATE	50 l/min 3.0 m ³ /h 1.8 CFM FAD	90 l/min 5.4 m ³ /h 3.2 CFM FAD	100 l/min 6.0 m ³ /h 3.5 CFM FAD	100 l/min 6.0 m ³ /h 3.5 CFM FAD
FILLING TIME*	40 min.	23 min.	20 min.	20 min.
WORKING PRESSURE	330 bar 4786 psig	330 bar 4786 psig	330 bar 4786 psig	330 bar 4786 psig
NET WEIGHT Approx.	39 Kg 86 lb	39.5 Kg 87 lb	40 Kg 88 lb	37 Kg 82 lb
NOISE	60 dB	69 dB	63 dB	77 dB

*Filling time cylinder 10 l-0/200 bar (measured by filling cylinder from 0 to 200 bar ±5%)

MCH 6 is designed for filling a single cylinder. It is neither designed or intended for filling cascade storage systems of any kind.

STANDARD

1 FILLING CONNECTION
(Among the ones available)
(P. 19)

HOUR METER
(Available only for: EM)

FILLING HOSE
1.2 m - 3.9 ft length

OPTIONAL

REMOTE INTAKE KIT
(P. 20)

PRESSURE MAINTAINING VALVE
+ BC filling valve

AUTOSTOP
(Available only for: EM/ET)
(P. 20)

FRAME
In STAINLESS STEEL





FILLING HOSES

length: 1.5 - 2 - 3 - 4 - 5 - 8 - 10
m / 4.9 - 6.5 - 9.8 - 13.1 - 16.4 -
26.2 - 32.8 ft

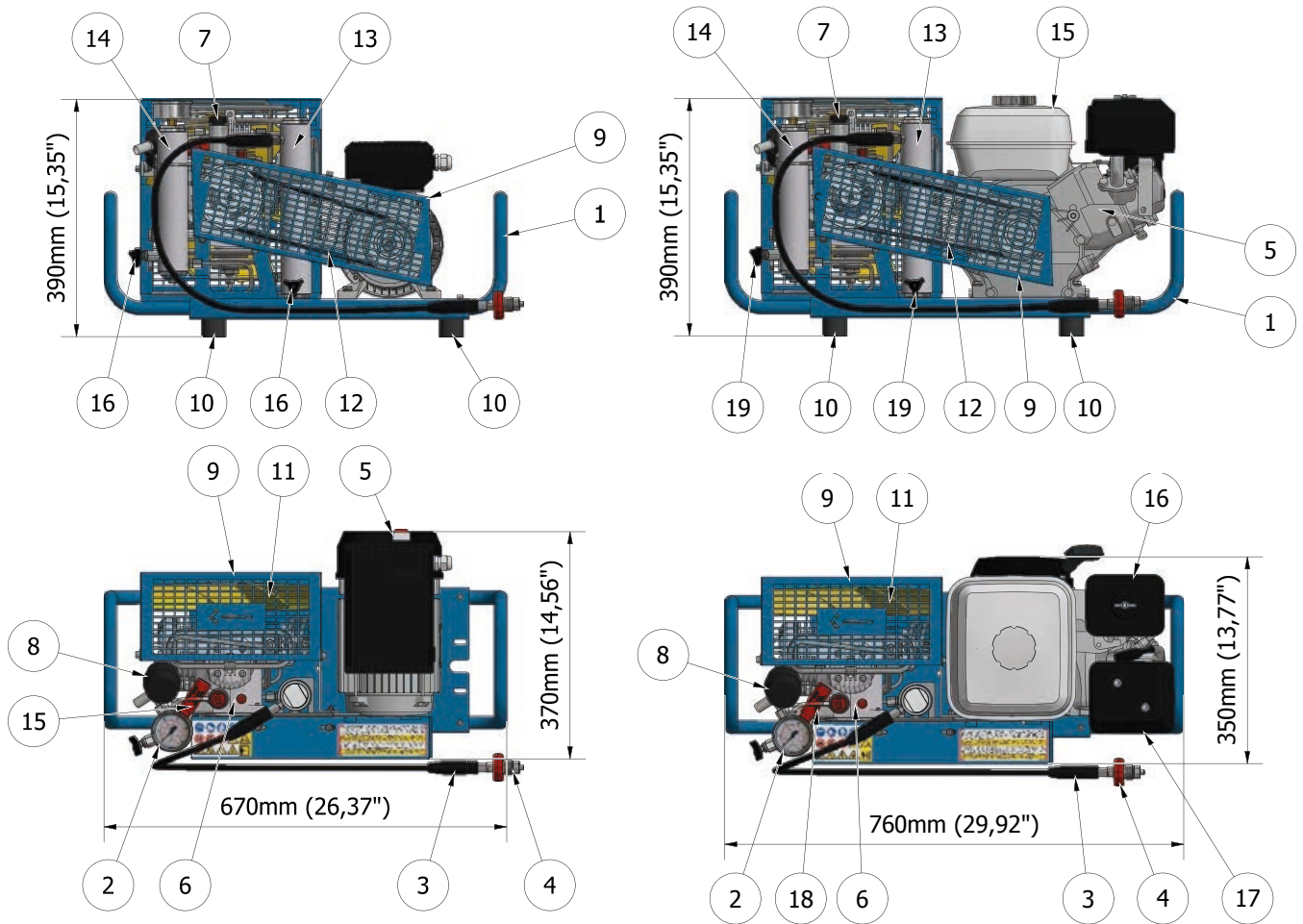
DIGITAL HOUR METER
(Available only for: SH HONDA)
(P. 20)

AUTOMATIC CONDENSATE DRAIN
(Available only for: EM/ET)
(P. 20)

NUMBER OF REFILLED CYLINDERS PER HOUR

CYLINDERS	LITERS	MCH 3 EM	MCH 6 EM	MCH 6 ET-SH
	10	1.5	3	3
	11.1	1.15	2.4	2.7
	15	1	2	2
	10+10	0.75	1.35	1.5

DIMENSIONS AND MACHINE PARTS



BASIC EM/ET

- 1** Frame
- 2** Pressure gauge
- 3** Hose
- 4** Refill valve
- 5** Electric motor
- 6** Compressor
- 7** Oil filler cap
- 8** Air filter
- 9** Fan belt
- 10** Anti-vibration devices
- 11** Cooling fan
- 12** Belt
- 13** Purifier filter
- 14** Condensate separator
- 15** Safety valve
- 16** Condensate drain

BASIC SH

- 1** Frame
- 2** Pressure gauge
- 3** Hose
- 4** Refill valve
- 5** Internal combustion engine
- 6** Compressor
- 7** Oil filler cap
- 8** Air filter
- 9** Cover protection
- 10** Anti-vibration devices
- 11** Cooling fan
- 12** Belt
- 13** Purifier filter
- 14** Condensate separator
- 15** Fuel tank
- 16** Engine air filter
- 17** Engine exhaust pipe
- 18** Safety valve
- 19** Condensate discharge

COMPACT

LINE: PORTABLES

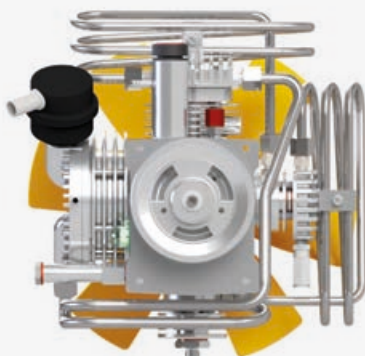


I compressori della gamma COMPACT sono molto popolari nel settore navale anche grazie al telaio rinforzato più avvolgente. Tutti equipaggiati con il popolare gruppo pompante MCH 6, sono disponibili con motorizzazioni a benzina o elettrica, sia trifase che monofase. La dotazione prevede un attacco di riempimento per tubo flessibile con pressione di esercizio da 232 a 330 bar. Fra gli optional sono disponibili: valvola di mantenimento pressione, scarico condensa automatico e autostop, il tutto per modellare il prodotto sulle proprie necessità d'uso. I telai sono disponibili anche in acciaio inox.



DRIVEN BY	CHARGING RATE	WORKING PRESSURE	FILLING TIME*
Single-phase electric motor	From 90 to 100 l/m	330 Bar	From 23 min. to 20 min.
Three-phase electric motor			
Honda Petrol Engine			

MCH 6 PUMPING UNIT



TECHNICAL DATA

	EM COMPACT 6	ET COMPACT 6	SH COMPACT 6
DRIVEN BY	Single-phase 230 V - 50 Hz	Three-phase 400 V - 50 Hz	Petrol engine -Honda GP200
ENGINE POWER	2.2 kW 3 Hp	3.0 kW 4 Hp	3.6 kW 4.8 Hp
CHARGING RATE	90 l/min 5.4 m ³ /h 3.2 CFM FAD	= l/min 6.0 m ³ /h 3.5 CFM FAD	100 l/min 6.0 m ³ /h 3.5 CFM FAD
FILLING TIME*	23 min.	20 min.	20 min.
WORKING PRESSURE	330 bar 4786 psig	330 bar 4786 psig	330 bar = psig
NET WEIGHT Approx.	55 Kg 121 lb	55 Kg 121 lb	55 Kg 121 lb
NOISE	91 dB	95 dB	97 dB

*Filling time cylinder 10 l-0/200 bar (measured by filling cylinder from 0 to 200 bar ±5%)

MCH 6 is designed for filling a single cylinder. It is neither designed or intended for filling cascade storage systems of any kind.

STANDARD

1 FILLING CONNECTION

(Among the ones available)
(P. 19)

HOURLY METER

(Available only for: EM)

FILLING HOSE

1.2 m - 3.9 ft length

OPTIONAL

REMOTE INTAKE KIT

(P. 20)

PRESSURE MAINTAINING VALVE

+ BC filling valve

AUTOSTOP

(Available only for: EM/ET)
(P. 20)

FRAME

In STAINLESS STEEL

FILLING HOSES

length: 1.5 - 2 - 3 - 4 - 5 - 8 - 10 m / 4.9 - 6.5 - 9.8 - 13.1 - 16.4 - 26.2 - 32.8 ft

DIGITAL HOUR METER

(Available only for: SH HONDA)
(P. 20)





PRESSURE REGULATOR

300/232 bar - 4351/3365 psig
(P. 20)

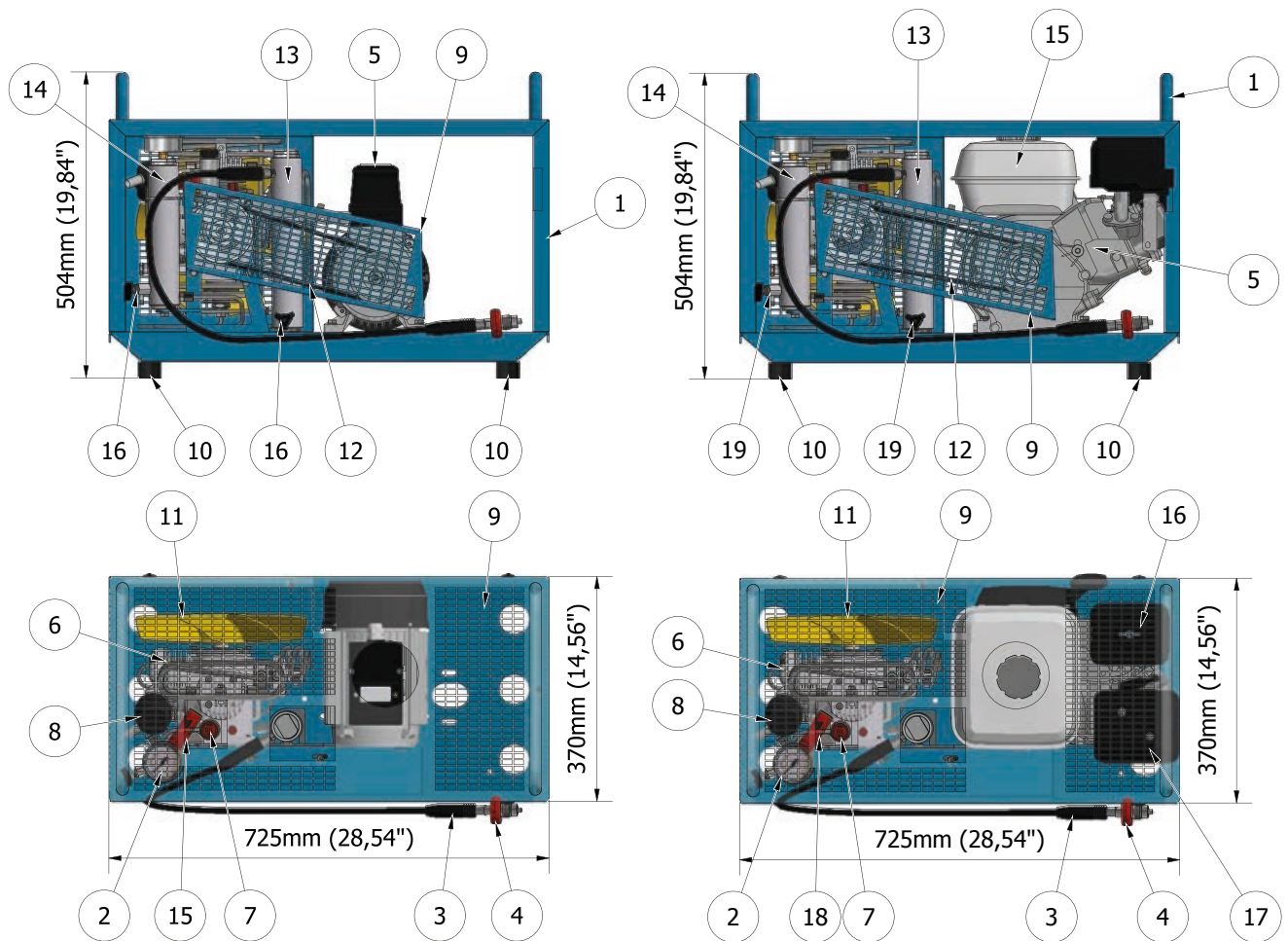
AUTOMATIC CONDENSATE DRAIN

(Available only for: EM/ET)
(P. 20)

NUMBER OF REFILLED CYLINDERS PER HOUR

CYLINDERS	LITERS	MCH 6 EM	MCH 6 ET-SH
	10	3	3
	11.1	2.4	2.7
	15	2	2
	10+10	1.35	1.5

DIMENSIONS AND MACHINE PARTS



COMPACT EM/ET

- 1** Frame
- 2** Pressure gauge
- 3** Hose
- 4** Refill valve
- 5** Electric motor
- 6** Compressor
- 7** Oil filler cap
- 8** Air filter
- 9** Fan belt
- 10** Anti-vibration devices
- 11** Cooling fan
- 12** Belt
- 13** Purifier filter
- 14** Condensate separator
- 15** Safety valve
- 16** Condensate drain

COMPACT SH

- 1** Frame
- 2** Pressure gauge
- 3** Hose
- 4** Refill valve
- 5** Internal combustion engine
- 6** Compressor
- 7** Oil filler cap
- 8** Air filter
- 9** Cover protection
- 10** Anti-vibration devices
- 11** Cooling fan
- 12** Belt
- 13** Purifier filter
- 14** Condensate separator
- 15** Fuel tank
- 16** Engine air filter
- 17** Engine exhaust pipe
- 18** Safety valve
- 19** Condensate discharge

SILENT 6

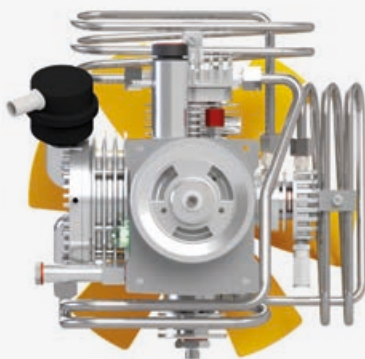


Coltri's SILENT 6 serie of breathable air compressors, equipped with the MCH 6 pumping unit, are characterized by extreme silence, obtained without sacrificing performance. The large space offered by the chassis allows the use of a filtering system with Maxifilter. These compressors are available with single-phase or three-phase electric motorization and integrated control panel with hour counter. All are equipped with automatic condensate drain and autostop as standard. The equipment includes a filling connection for flexible hose with working pressure from 232 to 330 bar.



DRIVEN BY	CHARGING RATE	WORKING PRESSURE	FILLING TIME*
Single-phase electric motor	From 90 to 100 l/m	330 Bar	From 23 min. to 20 min.
Three-phase electric motor			

MCH 6 PUMPING UNIT



TECHNICAL DATA

	EM SILENT 6	ET SILENT 6
DRIVEN BY	Single-phase 230 V - 50 Hz	Three-phase 400 V - 50 Hz
ENGINE POWER	2.2 kW 3 Hp	3.0 kW 4 Hp
CHARGING RATE	90 l/min 5.4 m ³ /h 3.2 CFM FAD	100 l/min 6.0 m ³ /h 3.5 CFM FAD
FILLING TIME*	23 min.	20 min.
WORKING PRESSURE	330 bar 4786 psig	330 bar 4786 psig
NET WEIGHT Approx.	85 Kg 187 lb	85 Kg 187 lb
NOISE	66 dB	66 dB

*Filling time cylinder 10 l-0/200 bar (measured by filling cylinder from 0 to 200 bar ±5%)

MCH 6 is designed for filling a single cylinder. It is neither designed or intended for filling cascade storage systems of any kind.

STANDARD

1 FILLING CONNECTION
(Among the ones available)
(P. 19)

AUTOSTOP
(Available only for: EM/ET)
(P. 20)

HOURLY METER

AUTOMATIC CONDENSATE DRAIN
With tank

FILLING HOSE
1.2 m - 3.9 ft length





Maxifilter
Filtration
(P. 21)

OPTIONAL

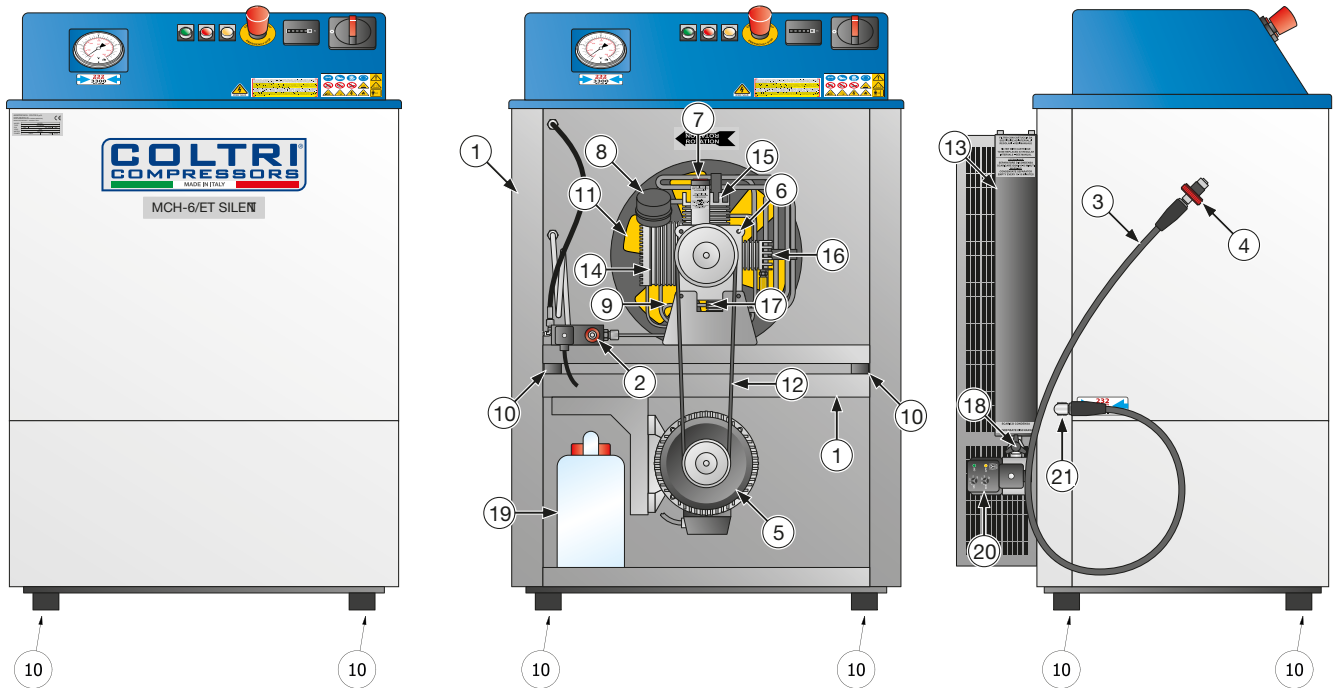
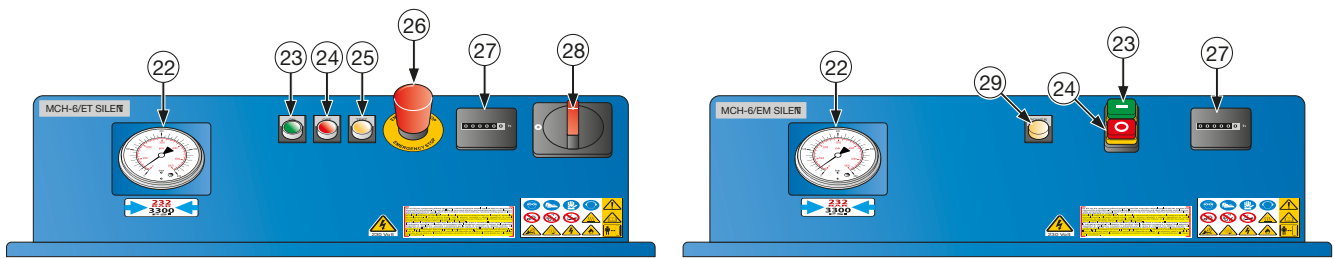
PRESSURE MAINTAINING VALVE
+ BC filling valve

FILLING HOSES
length: 1.5 - 2 - 3 - 4 - 5 - 8 - 10
m / 4.9 - 6.5 - 9.8 - 13.1 - 16.4 -
26.2 - 32.8 ft

NUMBER OF REFILLED CYLINDERS PER HOUR

CYLINDERS	LITERS	MCH 6 EM	MCH 6 ET
	10	3	3
	11.1	2.4	2.7
	15	2	2
	10+10	1.35	1.5

MACHINE PARTS



- | | |
|----------------------------------|---------------------------------------|
| 1 Frame | 16 3 rd Stage |
| 2 Safety valve | 17 4 th Stage |
| 3 Hose | 18 Condensate drain valve |
| 4 Refill valve | 19 Condensate collection tank |
| 5 Engine | 20 Automatic condensate drain |
| 6 Compressor | 21 Refill hoses connection |
| 7 Oil filler cap | 22 Working pressure gauge |
| 8 Air filter | 23 On pushbutton |
| 9 Oil discharge plug | 24 Off pushbutton |
| 10 Anti-vibration devices | 25 Condensate drain pushbutton |
| 11 Cooling fan | 26 Emergency pushbutton |
| 12 Belt | 27 Hour counter |
| 13 Purifier filter | 28 Selector switch ON/OFF |
| 14 1 st Stage | 29 Power indicator light |
| 15 2 nd Stage | |

EOLO 330

LINEA: THIRD LUNG



The EOLO 330 series is composed of Coltri low pressure compressors for breathable air, suitable for professional use and driven by a three-cylinder pumping unit that guarantees excellent performance. Equipped with interchangeable cartridge filter, it is ideal for underwater work or with ventilated helmets. Available engines are electric, single-phase or three-phase, or Honda combustion. The keyword is maneuverability, thanks to the built-in tank and the presence of wheels.



TECHNICAL DATA

	EOLO 330 EM	EOLO 330 ET	EOLO 330 SH
DRIVEN BY	Single-phase 230 V - 50 Hz	Three-phase 400 V - 50 Hz	Petrol engine -Honda GP200
ENGINE POWER	2.2 kW 3 Hp	3 kW 4 Hp	3.6 kW 4.8 Hp
AIR DELIVER	330l/min 19.8 m ³ /h 11.6 CFM FAD	330l/min 19.8 m ³ /h 11.6 CFM FAD	330l/min 19.8 m ³ /h 11.6 CFM FAD
TANK CAPACITY	4.5l	4.5l	4.5l
WORKING PRESSURE	8 bar 116 psig	8 bar 116 psig	8 bar 116 psig
NET WEIGHT Approx.	55.4 Kg 122 lb	55 Kg 121 lb	53 Kg 117 lb
NOISE	81.7 dB	83 dB	100.5 dB

STANDARD

SUCTION FILTER
(P. 20)

AUTOSTOP

OPTIONAL

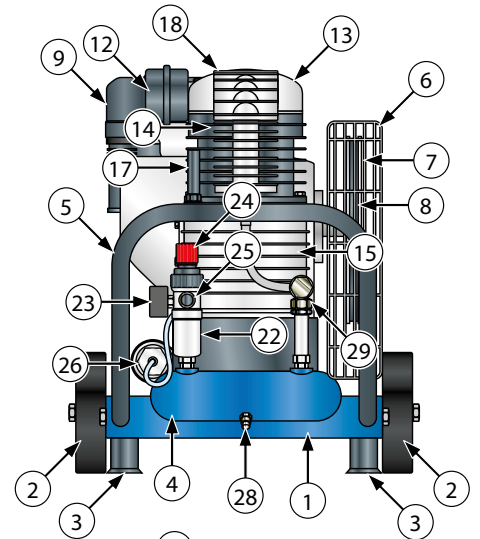
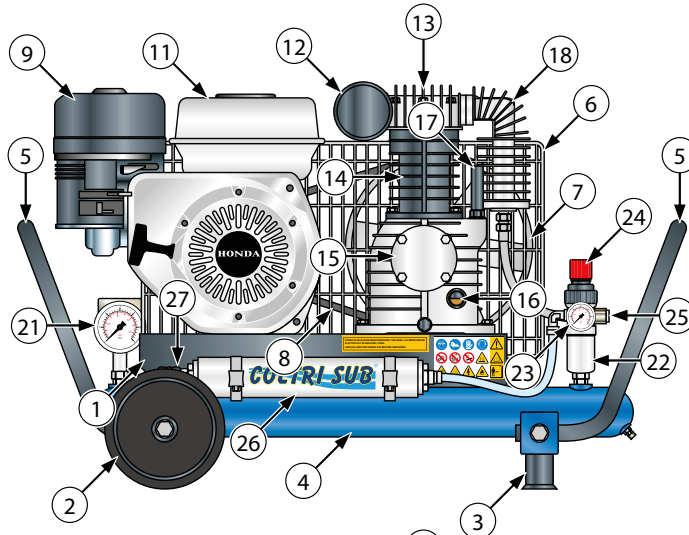
REMOTE INTAKE KIT
(P. 20)

REGULATOR
(Pag. 20)

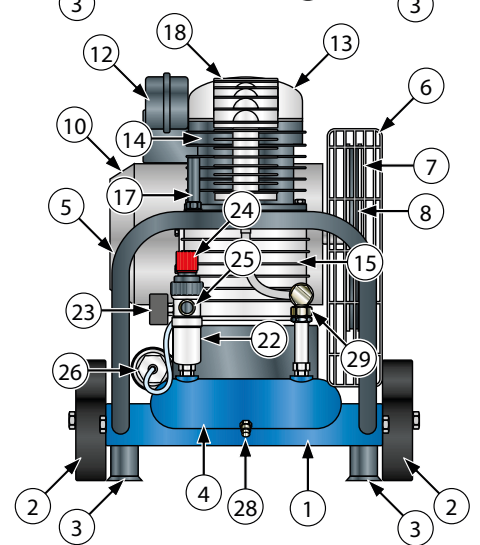
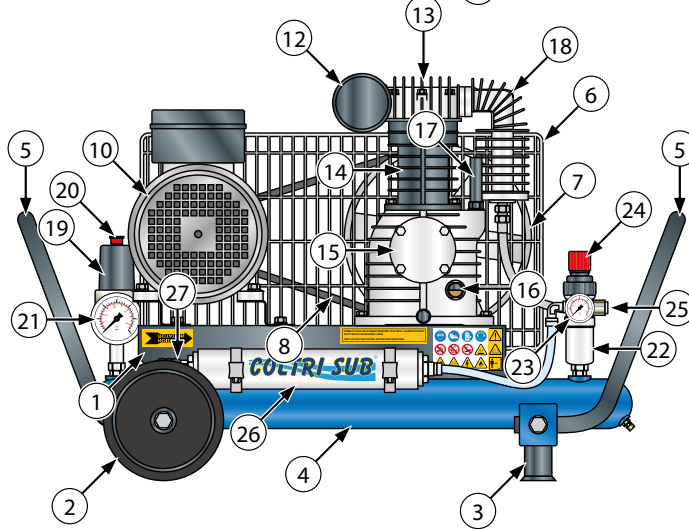
FOOD GRADE FLOATING
LP pipe
(Pag. 20)

DOUBLE OUTLET
(Pag. 20)

EOLO 330 SH



EOLO 330 EM-ET



- | | |
|-------------------------------------|--|
| 1 Frame | 17 Oil filler cap |
| 2 Rubber wheels | 18 Radiator |
| 3 Elastic stop feet | 19 Pressure switch |
| 4 Air tank | 20 Start-stop switch |
| 5 Carry handle | 21 Tank pressure gauge |
| 6 Fan belt | 22 Pressure regulator |
| 7 Cooling fan | 23 Outlet pressure gauge |
| 8 Belt | 24 Pressure regulation valve |
| 9 Internal combustion engine | 25 Professional-use fast coupling |
| 10 Electric motor | 26 Purifier filter |
| 11 Fuel tank | 27 Non-toxic hose rapid coupling |
| 12 Air filter | 28 Condensate discharge valve |
| 13 Cylinder heads | 29 Vacuum valve |
| 14 Cylinders | |
| 15 Crankcase | |
| 16 Oil level indicator | |

FILLING CONNECTIONS



CODE **6-05-024**
DIN 200 bar
STAINLESS STEEL



CODE **6-05-024/300**
DIN 300 bar
STAINLESS STEEL



CODE **6-05-025**
INT
STAINLESS STEEL

FILLING HOSES



CODE **SC000461-5000-AIR**

LENGHT:

• 1.5 m	• 4.9 ft
• 2.0 m	• 6.5 ft
• 3.0 m	• 9.8 ft
• 4.0 m	• 13.1 ft
• 5.0 m	• 16.4 ft
• 8.0 m	• 26.2 ft
• 10.0 m	• 32.8 ft

OPTIONALS FILLING CONNECTIONS

STANDARD SCOPE OF SUPPLY



CODE **DRV232**
DRV 232 bar



CODE **DRV300**
DRV 300 bar



CODE **RE100350**
DIN/INT adapter



CODE **DRVINT**
DRV/INT

OPTIONAL



CODE **DRV232/MANOM**
DRV 232 bar with gauge



CODE **DRV300/MANOM**
DRV 300 bar with gauge



CODE **VA800188**
Service Kit for DRV /
DRV DIN 230 bar / DRV DIN 300 bar

OPTIONALS ACCESSORIES MCH 6

DIGITAL HOUR METER



CODE

13-04-0210

(Available only for: Honda)

SUCTION FILTER CARTRIDGE

Available only for: MCH 6



CODE

SC000345

REMOTE INTAKE KIT

ADAPTER 1/2"



CODE

HC010302

3 M - 9.8 FT LENGHT PIPE
AND 20 MM - 0.78" DIAMETER

AUTOSTOP



CODE

SC000521

AUTO DRAIN WITH TIMER

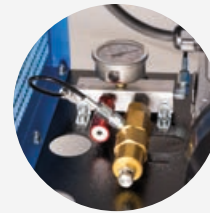


CODE

SC000522

DOUBLE PRESSURE VALVE 232 - 300 BAR

Available only for: COMPACT



CODE

SC000531

OPTIONALS ACCESSORIES EOLO

FOOD GRADE FLOATING LP PIPE



CODE

HC010160

SUCTION FILTER

Available only for: EOLO 330



CODE

HC010301

REGULATOR



CODE

HC010170

REMOTE INTAKE KIT

ADAPTER 1/2"



CODE

HC010302

DOUBLE OUTLET



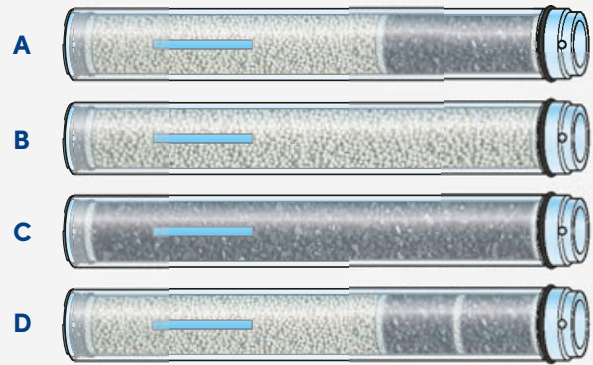
CODE

HC010180

3 M - 9.8 FT LENGHT PIPE
AND 20 MM - 0.78" DIAMETER

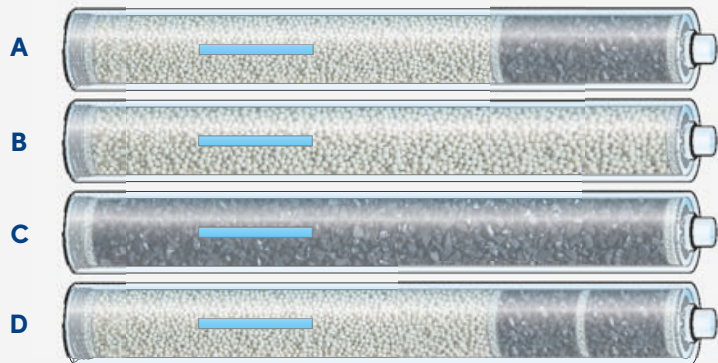
AIR FILTER CARTRIDGE

- A** CODE SC000340/ABS
WITH MOLECULAR SIEVE AND
ACTIVATED CARBON
- B** CODE SC000340/ABS/SM
WITH MOLECULAR SIEVE
- C** CODE SC000340/ABS/CARB
WITH ACTIVATED CARBON
- D** CODE SC000340/ABS/CO-CATALYST
WITH MOLECULAR SIEVE, ACTIVATED CARBON
AND CO-CATALYST



MAXIFILTER FOR MCH 6 SILENT

- A** CODE SC000440/PP
WITH MOLECULAR SIEVE AND
ACTIVATED CARBON
- B** CODE SC000440/PP/SM
WITH MOLECULAR SIEVE
- C** CODE SC000440/PP/CARB
WITH ACTIVATED CARBON
- D** CODE
SC000440/PP/CO-CATALYST
WITH MOLECULAR SIEVE,
ACTIVATED CARBON AND CO-CATALYST



CAPS & DISCS KIT FOR MCH 6 SILENT AIR FILTER CARTRIDGE

CODE

13-05-0601/R
6 pieces kit



FELTS FOR MAXIFILTER

CODE

13-00-0800
For MAXIFILTER
6 pieces kit



SYNTHETIC COLTRI OIL ST 755

CODE	SC000871 1 litre	SC000872 5 litres
------	---------------------	----------------------

- Fully synthetic oil with high viscosity index
- Excellent performance at high and low temperature



MOTOR OIL FOR PETROL AND DIESEL ENGINES

CODE	SC000431 600 ml
------	--------------------



ACTIVATED CARBON

CODE	SC000350 1 litre
CODE	SC000764 5 litres



MOLECULAR SIEVE

CODE	SC000380 1 litre
CODE	SC000763 5 litres



CO CATALYST

CODE	SC000355 1 litre
------	---------------------



Proud Coltri Partners
Northern Diver International Ltd.

OFFICE
East Quarry, Appley Lane North,
Appley Bridge, Wigan,
Lancashire, WN6 9AE, UK

TELEPHONE
+44 (0) 1257 25 44 44

EMAIL
info@ndiver.com

VISIT
www.ndiver.com/coltri-compressors



www.blauer.engel.de/uz14a

Stampato su carta riciclata
Printed on recycled paper.
Please collect used paper for recycling.

