

# DS520

## INFLATABLE BOAT WITH ALUMINIUM FLOOR

Built tough so they work hard for rugged private and commercial use. The commercial boat series are a high quality utility option. Packed with exceptional performance features these versatile aluminium floored boats are the perfect solution for a range of uses.

### SPECIFICATIONS

Max. loading: 10 persons,  
1450kg (3197lb)  
Outer dims: L: 5.2m (17'0), W: 2m (6'6)  
Internal width: 108cm (42.5")  
Tube diameter: 50cm (19.7")  
Aluminium floor:  
6 folding panels (50kg/110lb)  
Weight (inflatable only): 70kg (154lb)  
Chambers: 5 + 1 (keel)  
Max. tube pressure: 0.35bar/ 5 psi  
Max. pressure inflatable floor:  
0.7bar/ 10psi  
Handles, lines, benches: 11 + 2 + 2  
Recommended outboard:  
50HP Max. or Electric 37.2Kw  
Colours: red, yell, orange, black, green

### BOAT FEATURES

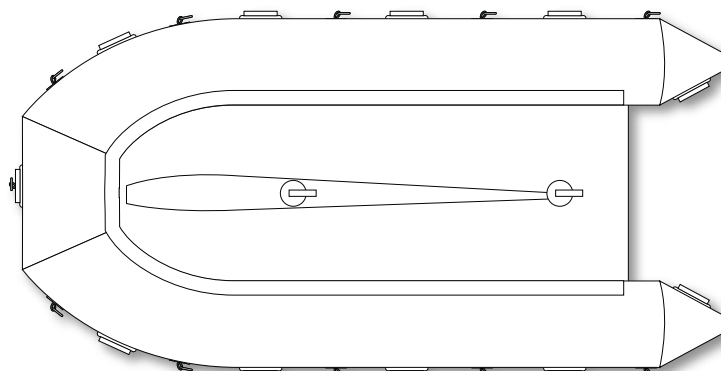
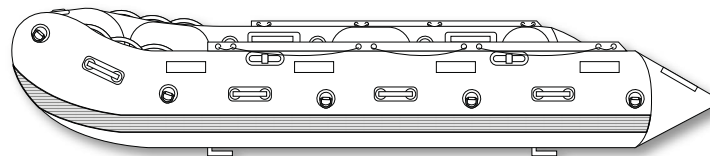
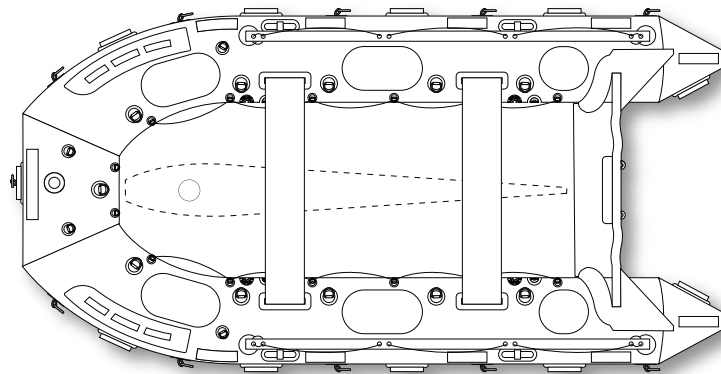
High quality commercial grade PVC  
Marine plywood benches  
Life lines  
Stainless steel D-rings  
Oar locking system  
Grab handles  
Aluminium floor panels  
Outboard ready marine transom

### WHATS INCLUDED?

165cm (65") T-bar floating paddles  
HP2 inflation hand pump  
Inflation valve fittings  
Maintenance kit  
Storage bag

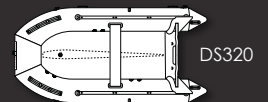
### ADDITIONAL BOAT OPTIONS

Customer branding  
Rapid inflation systems  
Additional sub-waterline reinforcement  
U-bolts fitted to transom  
Additional D-rings  
Storage pockets  
Outboard motors:  
(Suzuki, Parsun and Neraus)  
SBS Bunk Style trailers

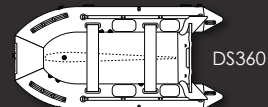


### BOAT MODELS

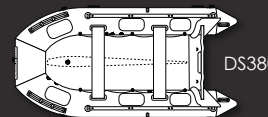
6 standard models available and any other size upon request



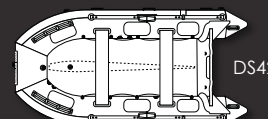
DS320



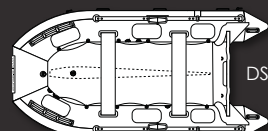
DS360



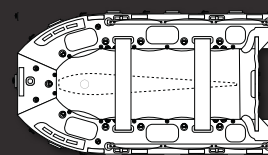
DS380



DS420



DS460



DS520

### DESCRIPTION

INFLATABLE BOATS

### STOCK CODE

BOAT-INFLATABLE 5M-COLOUR

**NORTHERN DIVER**

+44 (0) 1257 25 44 44 | INFO@NDIVER.COM

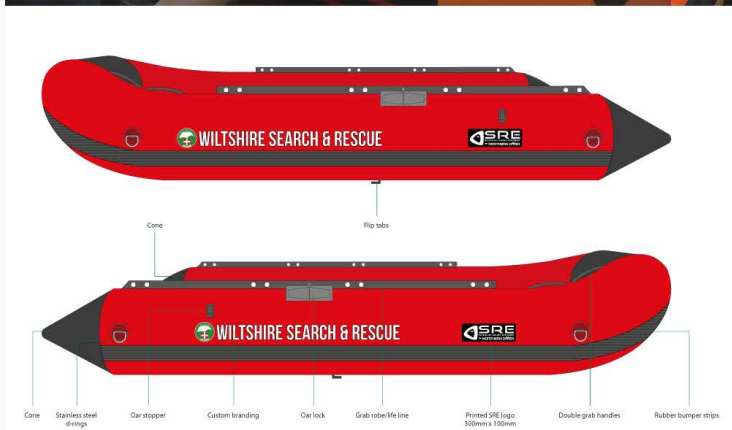
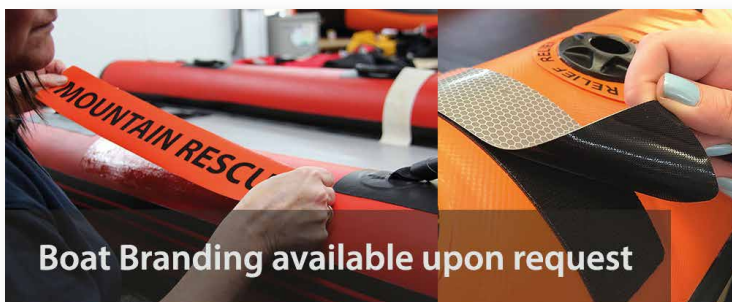
VISIT WWW.NDIVER-RESCUE.COM



# BOAT FEATURES

- |                                  |                                 |                                    |
|----------------------------------|---------------------------------|------------------------------------|
| <b>1</b> BOW HANDLE              | <b>8</b> N-DIVER BRANDING       | <b>15</b> MOTOR READY TRANSOM      |
| <b>2</b> RUBBER STRAKE           | <b>9</b> ALUMINIUM FLOOR PANELS | <b>16</b> U-BOLTS                  |
| <b>3</b> STAINLESS STEEL D-RINGS | <b>10</b> INTERNAL LIFE LINES   | <b>17</b> V-CONE STABILIZER        |
| <b>4</b> SOFT GRIP HANDLES       | <b>11</b> FLOOR SIDE JOINERS    | <b>18</b> CUSTOM BRANDING          |
| <b>5</b> RUBBER HANDLE           | <b>12</b> BENCH HOLDERS         | <b>19</b> OAR STOPPER              |
| <b>6</b> CUSTOM BRANDING         | <b>13</b> OAR LOCK SYSTEM       | <b>20</b> HIGH QUALITY PVC         |
| <b>7</b> EXTERNAL LIFE LINES     | <b>14</b> METAL INFO PLATE      | <b>21</b> INFLATION/EXHAUST VALVES |

NOTE PARTS INCLUDED ON EACH BOAT WILL DEPEND ON MODEL CHOSEN. PARTS NOT SHOWN MAYBE ADDED UPON REQUEST.



## What's Included?

